


























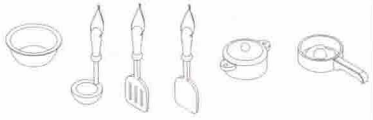












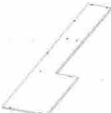






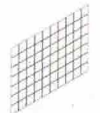




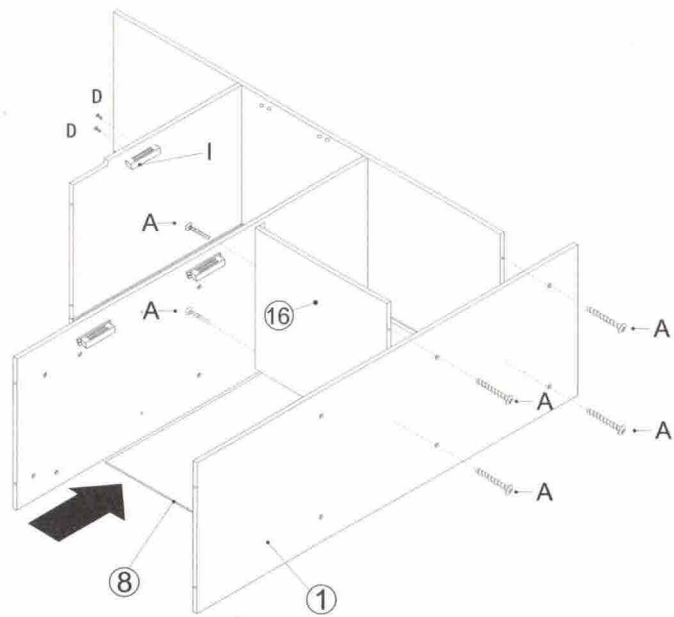
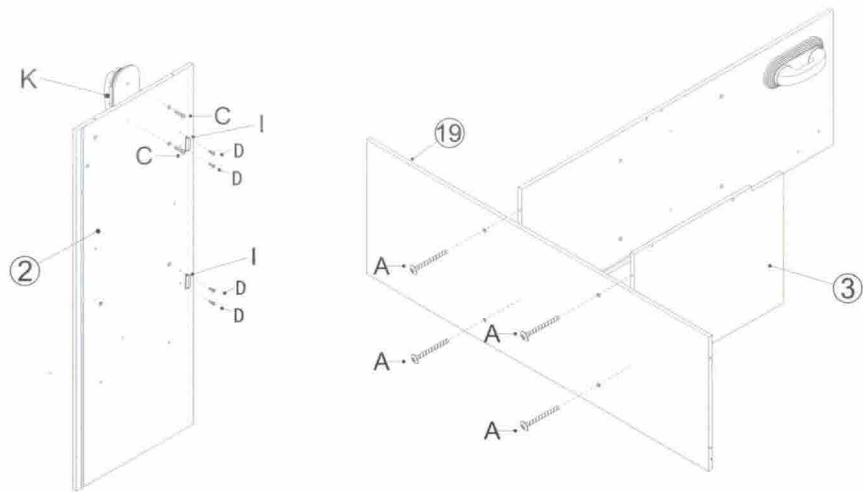


A x46 	B x11 	C x6 	D x40 	E x4 	F x21 	G x8 	H x4 	I x4 	
J1x2 	J2x1 	J3x1 	K x1 	L x1 	M x2 	N x1 	O x1 	P x3 	
Q x5 	R x8 	S x2 	T x2 						

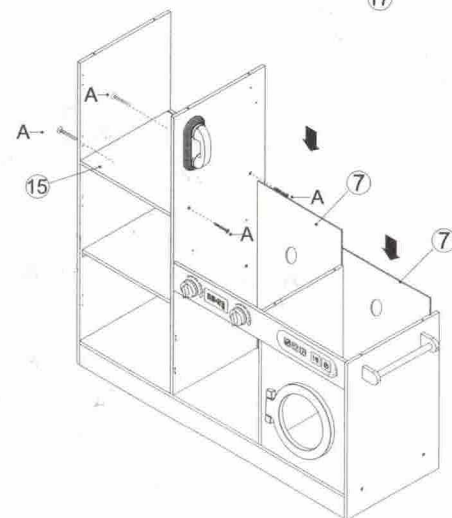
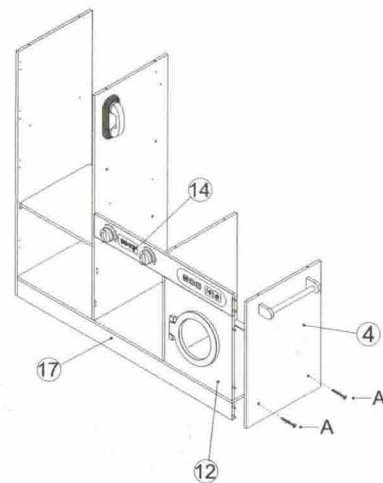
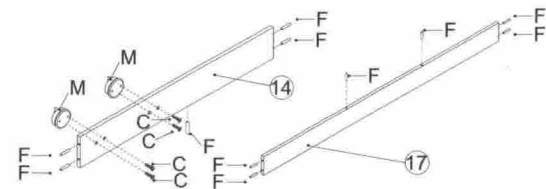
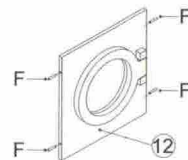
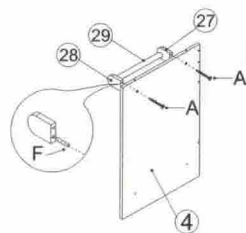
25 x1 	26 x1 	27 x1 	28 x1 	29 x1 	30 x1 
--	--	--	--	--	--

1 x1 	2 x1 	3 x1 	4 x1 	5 x1 	6 x1 
7 x2 	8 x1 	9 x1 	10 x1 	11 x1 	12 x1 
13 x1 	14 x1 	15 x1 	16 x1 	17 x1 	18 x1 
19 x1 	20 x1 	21 x1 	22 x1 	23 x1 	24 x1 

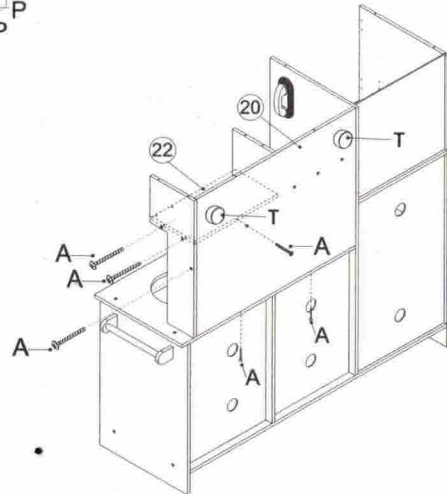
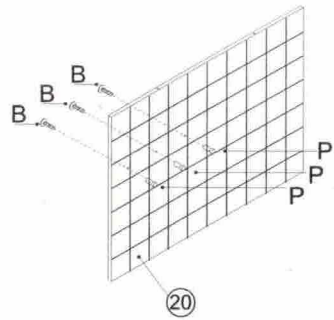
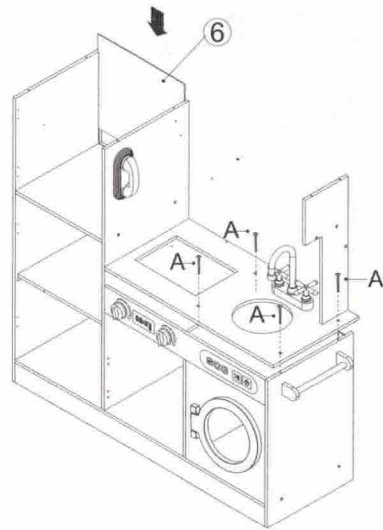
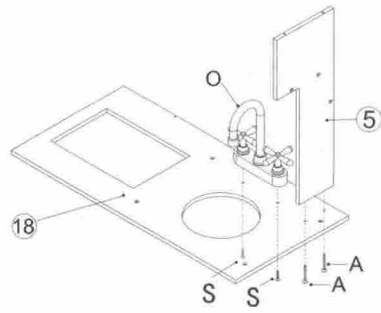
Ax10 Cx2 Dx6 Ix3 Kx1



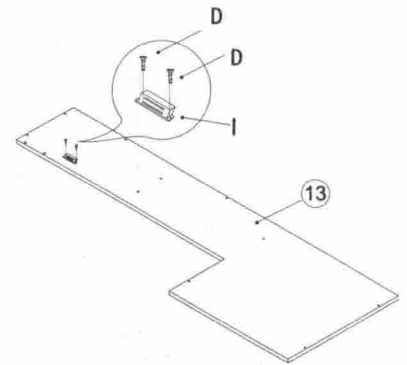
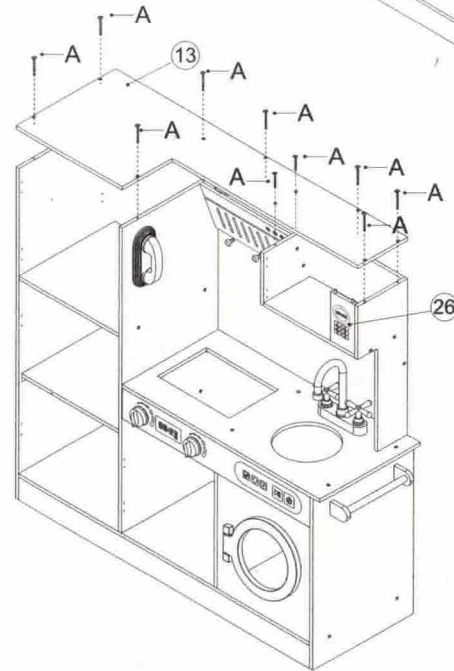
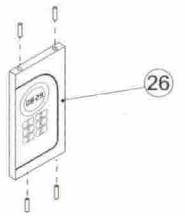
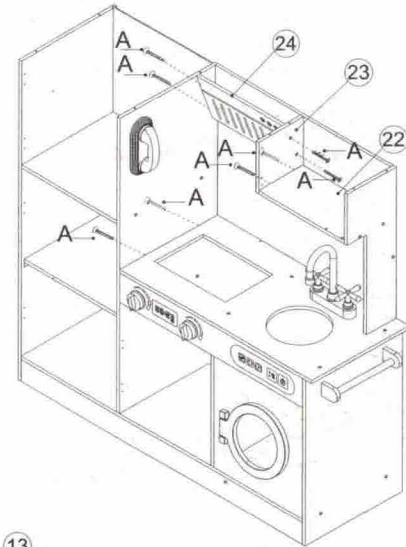
Ax8 Cx4 Fx17 Mx2

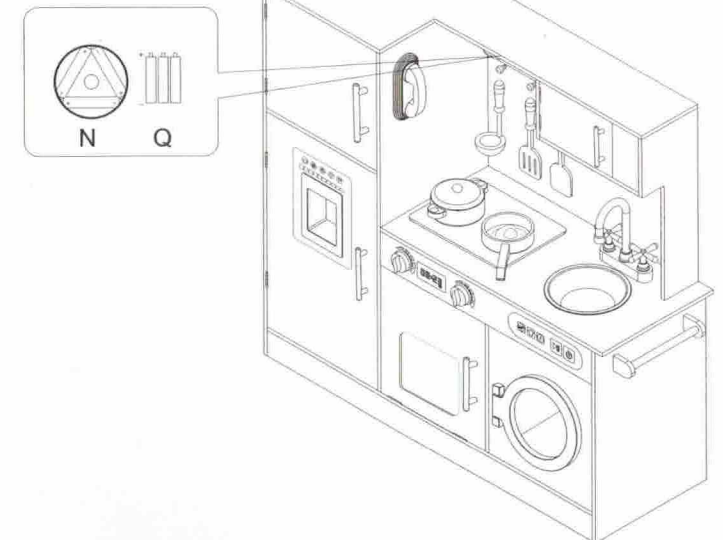
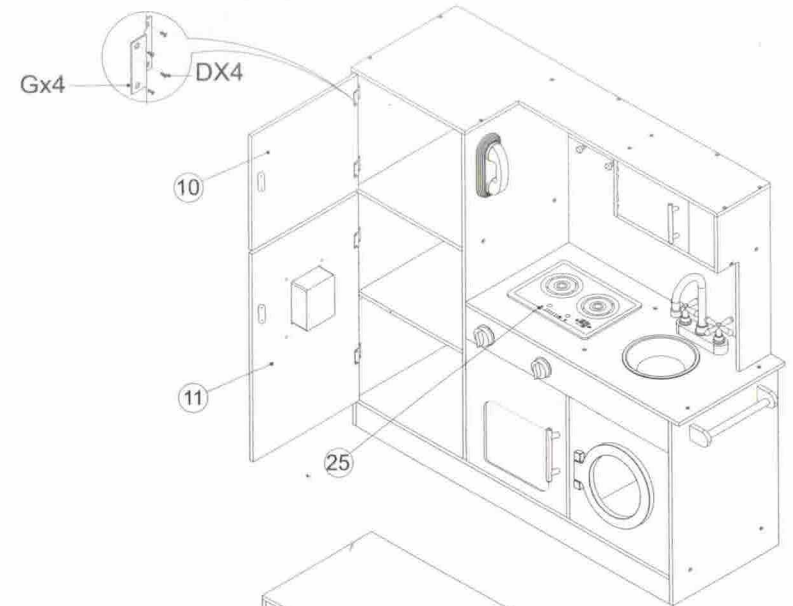
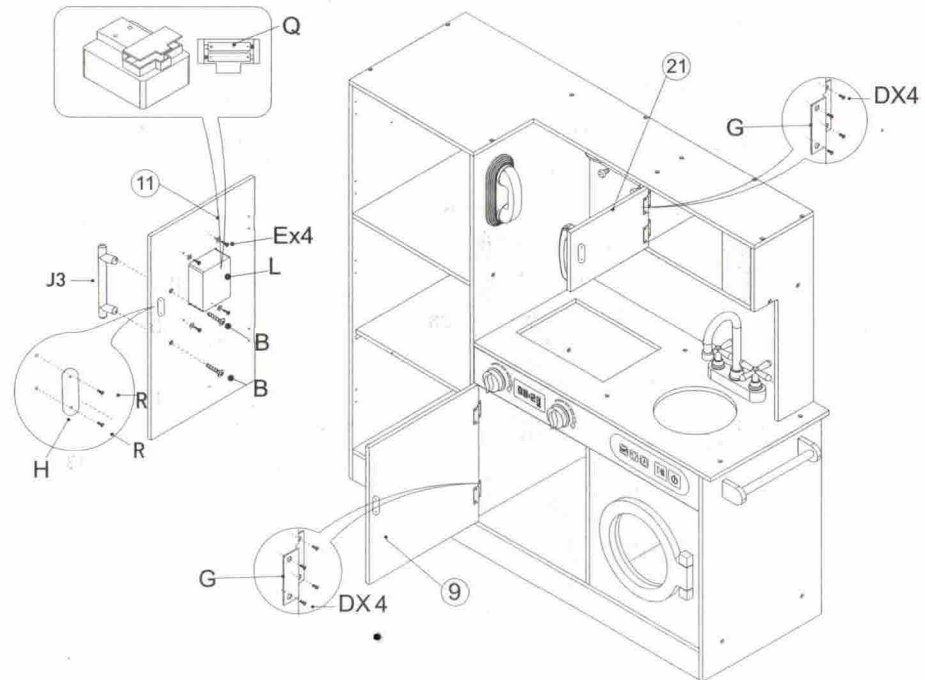
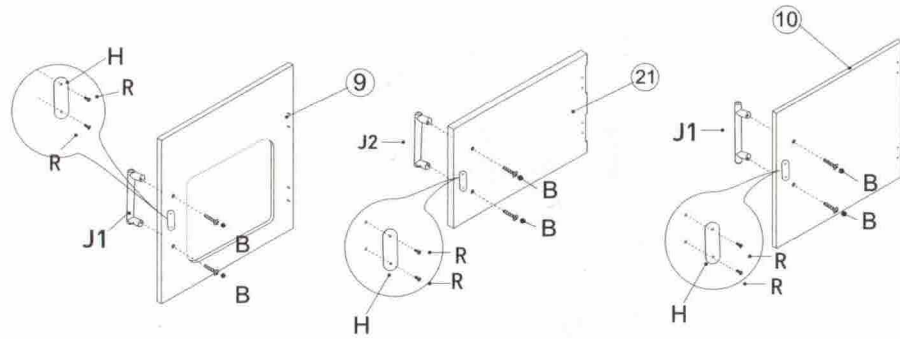
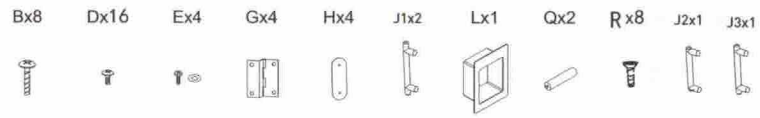


Ax12 Bx3 Ox1 Px3 Sx2 T x2



Ax18 D x2 Fx4 lx1

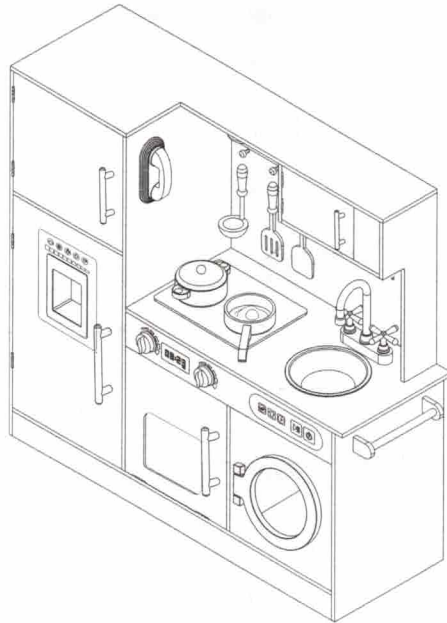






Assembly Instructions

SAWT18308



Please retain this information for future reference.

⚠ ADULT ASSEMBLY REQUIRED.

Not suitable for children under three years, due to sharp points and small parts.

USE AND MAINTENANCE:

-Use on level surfaces only

Fittings may loosen with use over time. Regularly check and tighten loose fittings to prevent children from removing them, and to preserve the strength of the product, but do not over-tighten them

⚠ WARNING:

CHOKING HAZARD

Unassembled parts may be choking hazard to children 3 years and younger.

Independently tested and certified for compliance with EU toy safety (EN71 parts 1-3, ASTM F963) and chemical (REACH) regulations

